

# Programmable Switch

50Ω 1 to 8 Four Switch - 800 to 6000 MHz

## Maximum Ratings

Operating Temperature	-25°C to 50°C
Storage Temperature	-45°C to 85°C
Max RF Input	30 dBm

Permanent damage may occur if any of these limits are exceeded.

## Connections

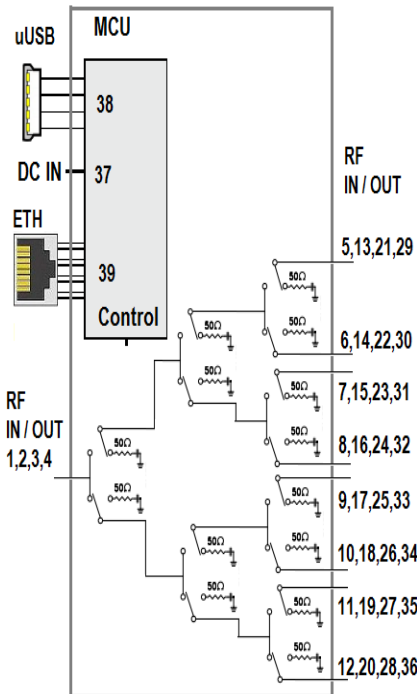
SWITCH 1 INPUT / OUTPUT	1
SWITCH 2 INPUT / OUTPUT	2
SWITCH 3 INPUT / OUTPUT	3
SWITCH 4 INPUT / OUTPUT	4
SWITCH 1 OUTPUT / INPUT	5,6,7,8,9,10,11,12
SWITCH 2 OUTPUT / INPUT	13,14,15,16,17,18,19,20
SWITCH 3 OUTPUT / INPUT	21,22,23,24,25,26,27,28
SWITCH 4 OUTPUT / INPUT	29,30,31,32,33,34,35,36
DC IN	37
USB	38
ETHERNET	39

## Features

- Four Single throw Eight pole absorptive switch
- Wide Frequency range
- Compact sized
- Low Leakage
- Built in Web Server
- USB and Ethernet control
- Simultaneous, bidirectional RF signal transmission with Symmetrical performance

## Applications

- Automated Test Equipment
- Laboratory Instrumentation
- Production Test
- R&D
- Controlling RF signal paths
- MIMO test sets



## Electrical Specifications Typical Performance Data

Parameter	Frequency range (MHz)	Typ.	Units
Main Line Loss	700 - 2000	5	dB
Main Line Loss	2000 - 3000	6	dB
Main Line Loss	3000 - 4000	6.7	dB
Main Line Loss	4000 - 5000	7.4	dB
Main Line Loss	5000 - 6000	10	dB
Switching Speed	700 - 6000	600	nS
Isolation of Channels	700 - 6000	50	dB

